

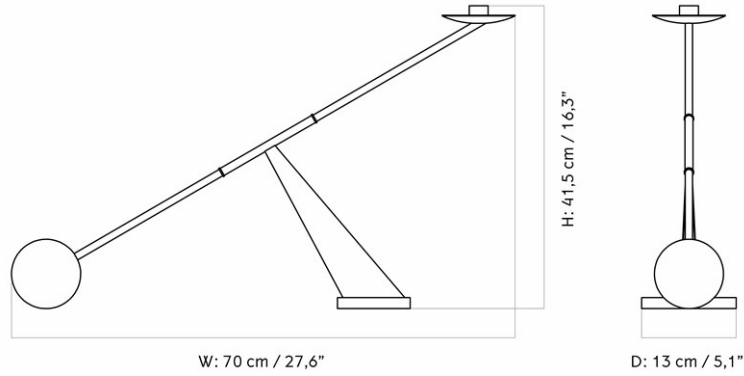
INTERCONNECT CANDLE HOLDER
LARGE - BRASS, BRONZED
Designed by *Colin King Studio LLC*



A sphere, an angle and a line meet on the Interconnect Candle Holder, a bold and illuminating centrepiece of exaggerated proportions. Available in polished brass or painted steel, it goes beyond its intended use to function as a sculpture.

SKU	71033-001062	COUNTRY OF ORIGIN	CN
EAN	5709262083701	MATERIALS	Bronzed Brass
DESIGNER	Colin King Studio LLC	COLOUR	Bronzed Brass, Brown
PRODUCT TYPE	Candleholder	CO2e	70.69 kg
COLLI	2 pcs.	WARRANTY	2 years (Download)
ENVIRONMENT	Indoor	CARE INSTRUCTIONS	Finish

INTERCONNECT CANDLE HOLDER
LARGE - BRASS, BRONZED
Designed by *Colin King Studio LLC*



Technical Specifications

DIMENSIONS

Product Height: 41.5 cm
Product Width: 70 cm
Product Depth: 13 cm

PRODUCTION PROCESS

The candle holder is made connecting rods, stamping, and cut components in either in solid brass or painted steel

WEIGHT

2.28, kg

PACKAGING TYPE

Gift Box

PACKAGING MEASUREMENTS

H x W x D
40, cm x 86, cm x 16.5, cm